

K4 System by Blue Acoustic®

K210 data

K210 is a superbly compact powered three way loudspeaker that operates in bi-amplified mode and is the top box in our **Blue Acoustic K4 System** partnered with the **M4B** dual 15" powered bass unit

K210 has the power and ability to be thoroughly effective yet neatly unobtrusive in a vast variety of premium events.

Blue Acoustic loudspeakers incorporate not only some of the finest components currently available but those that are fully proven within the professional environment.

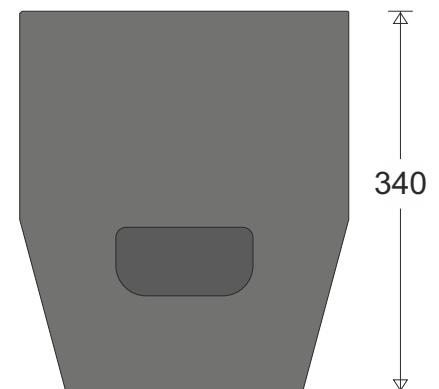
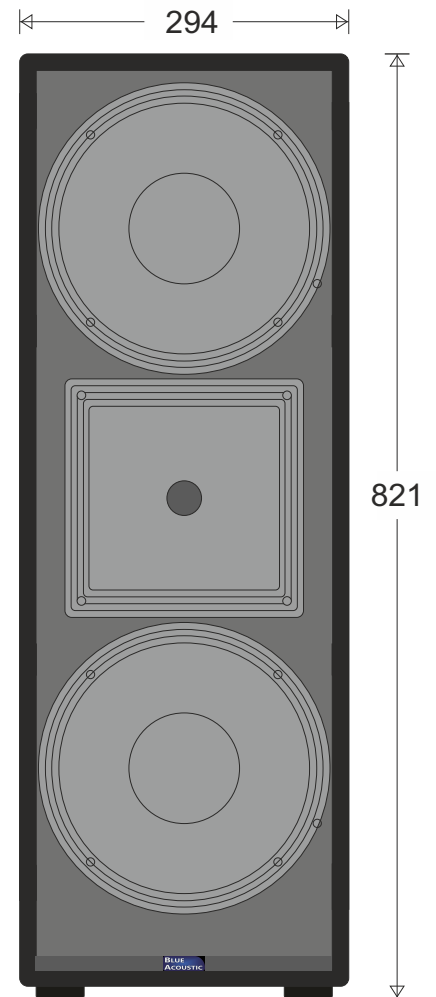
K210 component specifications.

bass/mid units	262mm (10") x 2
bass/mid unit total aes power	600 watts
bass/mid unit voice coil	65mm (2.5")
bass/mid unit magnet	neodymium
bass/mid nominal impedance	4 Ω
mid/hf unit exit	36mm (1.4")
mid/hf unit magnet	neodymium
mid section aes power	150 watts
mid section voice coil	90mm (3.5")
hf section aes power	80 watts
hf section voice coil	44mm (1.75")
horn unit	80° x 60° (aluminium)
module power ch 1 (bass/mid)	600 watts aes (@ 4Ω)
module power ch 2 (mid/hf)	130 watts aes (@ 8Ω)
module control	factory configured dsp
module presets	4 in total
THD+N	< 0.05% 0.1w to full power
damping factor	> 1,000 @ 100Hz
crossover centre frequency	1.15 KHz (L/R @ -6dB points)

K210 cabinet specifications.

handles	top mounted dual lift
pole mount	35mm vertical and 5° tilt forward
build material	12mm, 15mm and 18mm birch ply
bass/mid efficiency 1w/1m	102B
mf & hf efficiency 1w/1m	112dB
spl at rated power	129dB
tml (theoretical max level) *	135dB
frequency response (preset 1)	64Hz - 19.2Khz (± 3dB)
high pass filter (full range)	65Hz (8th order L/R)
high pass filter (with bass cabs)	115Hz (4th order L/R)
mains input voltage	110-240v
mains connection	Neutrik PowerCON True1 (NAC3FX-W)
mains onward link	Neutrik PowerCON True1 (NAC3MX-W)
signal input connector	XLR 3 (cable male to female socket)
signal link connector	XLR 3 (cable female from male socket)
dimensions	821 h x 293 w x 340 d
weight	24.3 Kgs (53.5 lbs)
covers	slip over padded versions available

* tml is published for comparative purposes only



Blue Acoustic is a Trade Mark registered in the United Kingdom - number UK02517676
Trade Mark used with the permission of the owners purely upon Blue Acoustic products.
All designs and settings copyright Ken Hughes - 2016.

Blue Acoustic®; where less is more

M4B is a superbly compact powered bass loudspeaker operating with a dual channel module and is the bass unit in our **Blue Acoustic K4 System**.

It's recommended partner is the **K210** three way dual 10" powered top unit shown over the page.

M4B has the power and ability to be thoroughly effective yet neatly unobtrusive in a vast variety of premium events.

Blue Acoustic loudspeakers incorporate possibly the finest high quality drive units and amplifier modules.

M4B component specifications.

bass units (x2)	390mm (15")
bass unit aes power	700 watts (x2)
bass unit voice coil	102mm (4") (8Ω)
bass unit magnet	ferrite
module power (per channel)	700 watts aes x 2 (8Ω)
module control	factory configured dsp
module presets	4 in total
THD+N	< 0.05% 0.1w to full power
damping factor	> 1,000 @ 100Hz
crossover centre frequency	110Hz (L/R @ -6dB points)

M4B cabinet specifications.

handles	six; two per side, top and bottom
pole mounts	20mm screw thread (top and side)
castors	100mm swivel type
build material	18mm and 24mm birch ply
bass driver efficiency 1w/1m	99dB
spl at rated power	131dB
tml (theoretical max level) *	137 dB
frequency response (preset 1)	45 - 130hz (± 3dB)
high pass filter	39Hz (8th order)
mains input voltage	110-240v
mains connection	Neutrik PowerCON True1 (NAC3FX-W)
mains onward link	Neutrik PowerCON True1 (NA3MX-W)
signal input connector	XLR 3 (cable male to female socket)
signal link connector	XLR 3 (cable female from male socket)
dimensions	870 h x 532 w x 535 d (647 over castors)
weight	52.5 Kgs (116 lbs)
cover	slip over padded versions available
accessories	SubSafe® bass covers available

* tml is published for comparative purposes only

Blue Acoustic Sales - Europe

Units 3 & 6, Grooms Building, Pool Road, Newtown, Powys SY16 1DL
Tel: +44 (0) 1686 622368 Mob: 07971 882663 Email: ken@blue-acoustic.com

Blue Acoustic Sales - USA

Tulsa, OK, 74146
Tel: (918) 732 9343 Email: info@blueacousticusa.com

Blue Acoustic is a Trade Mark registered in the United Kingdom - number UK 02517676
Trade Mark used with the permission of the owners purely upon Blue Acoustic products.
All designs and dsp settings copyright Ken Hughes - 2016.

Blue Acoustic®; where less is more

