

M210 is a superbly compact powered loudspeaker operating in bi-amplified mode and is the top box in our **Blue Acoustic M4 System** partnered with the **M4B** dual 15" powered bass unit

M210 has the power and ability to be thoroughly effective yet neatly unobtrusive in a vast variety of premium events.

Blue Acoustic loudspeakers incorporate not only some of the finest components currently available but those that are fully proven within the professional environment.

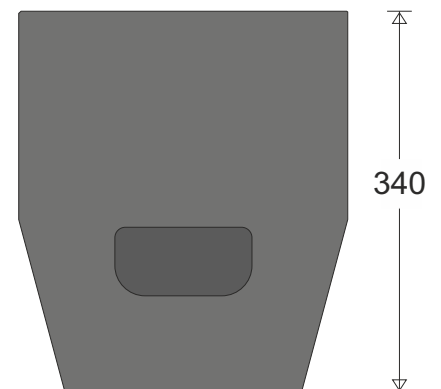
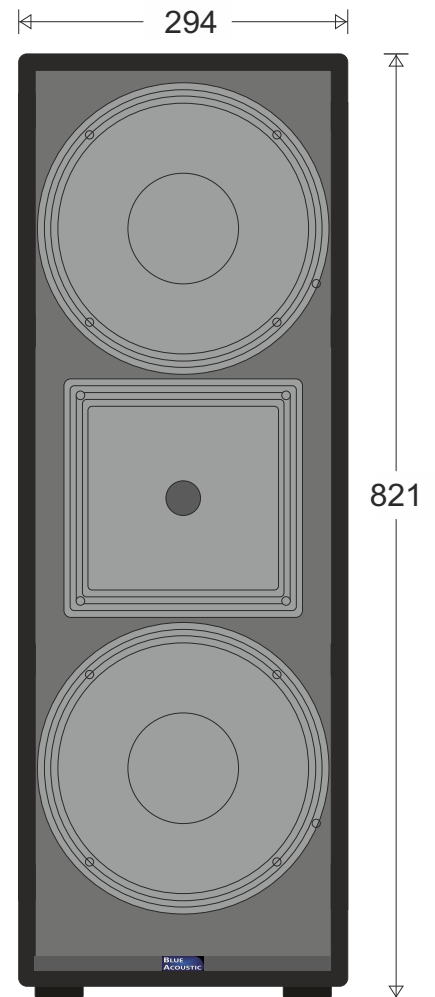
M210 component specifications.

bass units	260mm (10") x 2
bass unit total aes power	700 watts
bass unit voice coil	65mm (2.5") (wired in parallel for 4 ohms)
bass unit magnet	neodymium
hf unit exit	36mm (1.4")
hf unit aes power	80 watts
hf unit voice coil	44mm (8Ω)
hf unit magnet	neodymium
horn unit	80° x 60° (aluminium)
module power (bass/mid)	700 watts aes (@ 4Ω)
module power (hf)	80 watts aes (@ 16Ω)
module control	factory configured dsp
module presets	4 in total
THD+N	< 0.05% 0.1w to full power
damping factor	> 1,000 @ 100Hz
crossover centre frequency	1.45 KHz (L/R @ -6dB points)

M210 cabinet specifications.

handle	top mounted dual lift
pole mount	35mm vertical and 5° tilt forward
build material	12mm, 15mm and 18mm birch ply
bass/mid efficiency 1w/1m	102B
mf & hf efficiency 1w/1m	109dB
spl at rated power	129dB
tml (theoretical max level) *	135dB
frequency response (preset 1)	64Hz - 21.4Khz (± 3dB)
high pass filter (full range)	60Hz (8th order L/R)
high pass filter (with bass cabs)	115Hz (4th order L/R)
mains input voltage	110-240v
mains connection	Neutrik PowerCON True1 (NAC3FX-W)
mains onward link	Neutrik PowerCON True1 (NAC3MX-W)
signal input connector	XLR 3 (cable male to female socket)
signal link connector	XLR 3 (cable female from male socket)
dimensions	821 h x 294 w x 340 d
weight	18.7 Kgs (42 lbs)
covers	slip over padded versions available

* tml is published for comparative purposes only



Blue Acoustic is a Trade Mark registered in the United Kingdom - number UK02517676
Trade Mark used with the permission of the owners purely upon Blue Acoustic products.
All designs and settings copyright Ken Hughes; 2016 - 2017

Blue Acoustic®; where less offers more

M4B is a superbly compact powered bass loudspeaker operating with a dual channel module and is the bass unit in our **Blue Acoustic K4 System**.

It's recommended partner is the **M210** two way dual 10" powered top unit shown over the page.

M4B has the power and ability to be thoroughly effective yet neatly unobtrusive in a vast variety of premium events.

Blue Acoustic loudspeakers incorporate possibly the finest high quality drive units and amplifier modules.

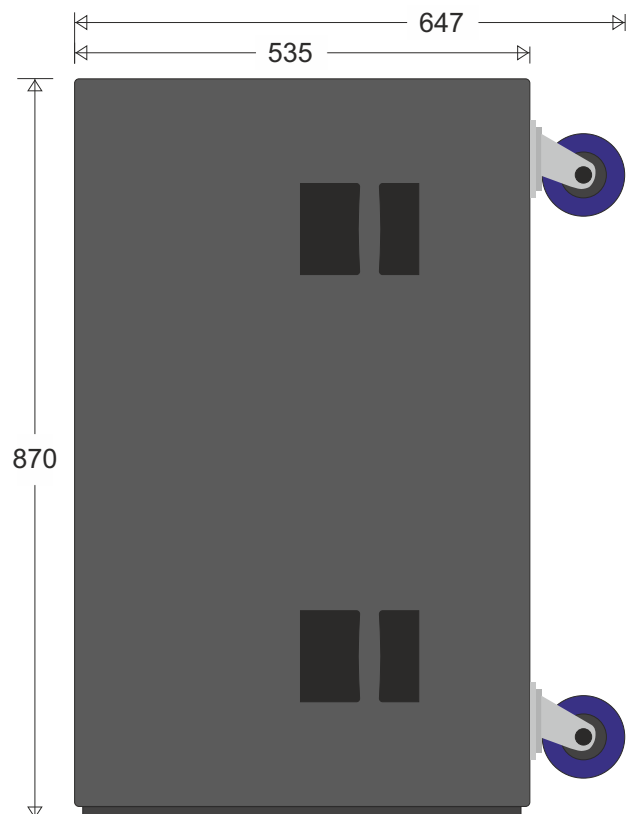
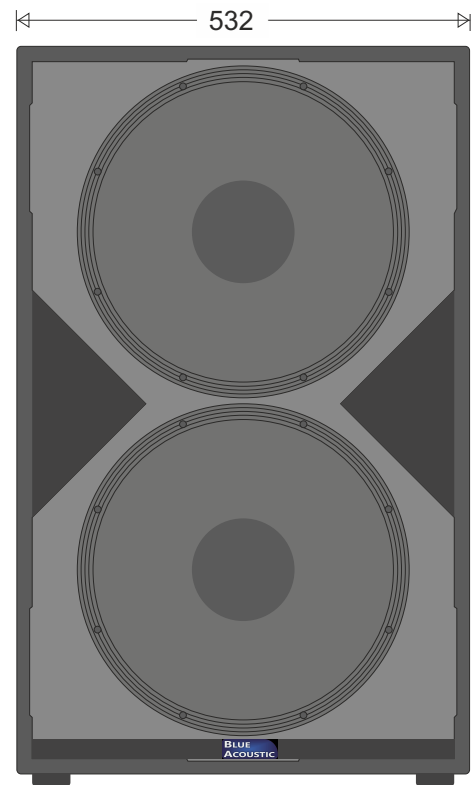
M4B component specifications.

bass units (x 2)	390mm (15")
bass unit aes power	700 watts (x2)
bass unit voice coil	102mm (4") (8Ω)
bass unit magnet	ferrite
module power (per channel)	700 watts aes x 2 (8Ω)
module control	factory configured dsp
module presets	4 in total
THD+N	< 0.05% 0.1w to full power
damping factor	> 1,000 @ 100Hz
crossover centre frequency	110Hz (L/R @ -6dB points)

M4B cabinet specifications.

handles	six; two per side, top and bottom
pole mounts	20mm screw thread (top and side)
castors	100mm swivel type
build material	18mm and 24mm birch ply
bass driver efficiency 1w/1m	99dB
spl at rated power	131dB
tml (theoretical max level) *	137 dB
frequency response (preset 1)	45 - 130hz (± 3dB)
high pass filter	39Hz (8th order)
mains input voltage	110-240v
mains connection	Neutrik PowerCON True1 (NAC3FX-W)
mains onward link	Neutrik PowerCON True1 (NA3MX-W)
signal input connector	XLR 3 (cable male to female socket)
signal link connector	XLR 3 (cable female from male socket)
dimensions	870 h x 532 w x 535 d (647 over castors)
weight	52.5 Kgs (116 lbs)
cover	slip over padded versions available
accessories	SubSafe® bass covers available

* tml is published for comparative purposes only



Blue Acoustic Sales - Europe

Units 3 & 6, Grooms Building, Pool Road, Newtown, Powys SY16 1DL
Tel: +44 (0) 1686 622368 Mob: 07971 882663 Email: ken@blue-acoustic.com

Blue Acoustic Sales - USA

Tulsa, OK, 74146
Tel: (918) 732 9343 Email: info@blueacousticusa.com

Blue Acoustic is a Trade Mark registered in the United Kingdom - number UK 02517676
Trade Mark used with the permission of the owners purely upon Blue Acoustic products.
All designs and dsp settings Copyright Ken Hughes; 2016 - 2017.

Blue Acoustic®; where less is more